

Features

- Hot pluggable
- Total Bandwidth 40 Gbps (4 x 10 GB)
- Pre-terminated four twin axial cable / fiber cables
- Operating environment temperature 0 ~ 70 °C
- Low power consumption
- QSFP+ housing with enhanced EMI shielding
- Single 3.3V power supply
- Programmable EEPROM for serial identification

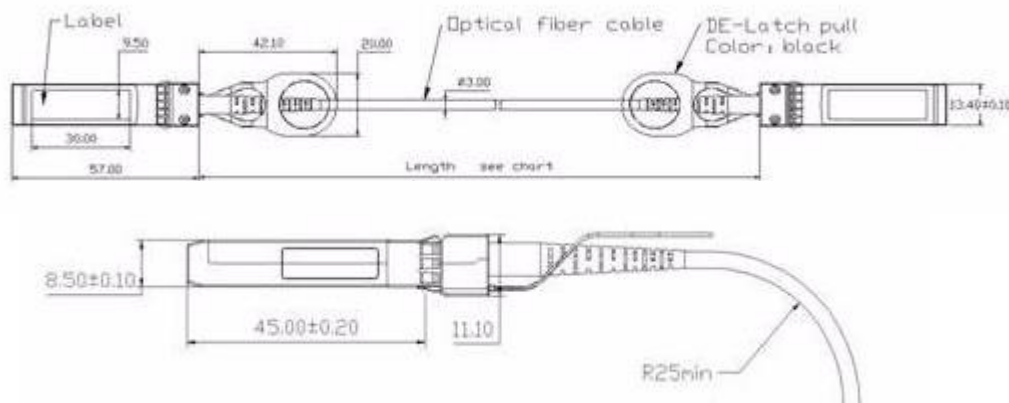


Vi-Link's high speed QSFP+ Active Optical Cable (AOC) provides high performance in 40 Gigabit Ethernet (10GbE) network applications, using an enhanced QSFP+ connector to send 40 Gbps data through one paired transmitters and receivers over a optical cable. They are compliant with electrical standards SFF-8431, SFF-8083 and mechanical standard SFF-8432, EEPROM standard SFF-8472.

Specifications

Parameter	Symbol	Min	Max	Unit
Storage Temperature	Ts	-40	+85	°C
Operating Case Temperature	Tc	-40	+85	°C
Operating Humidity	RH		90	%
Bit Rate	BR	4	10	GB/s
Supply Votage	Vcc	-0.5	+3.6	V

Mechanical Drawings



Order Information

Model	Descriptions
AO4-3	Active Optical Ethernet Cable, 40 GB, QSFP to QSFP, 3 meters

** Replace "3" With 10, 20, 30, 50, 100 for Cable Distances **