

Features

- Hot pluggable
- Bit rate support from 1G to 25 Gbps
- Pre-terminated twin axial cable / fiber cable
- Operating environment temperature 0 ~ 70 °C
- Low power consumption
- SFP+ housing with enhanced EMI shielding
- Single 3.3V power supply
- Programmable EEPROM for serial identification

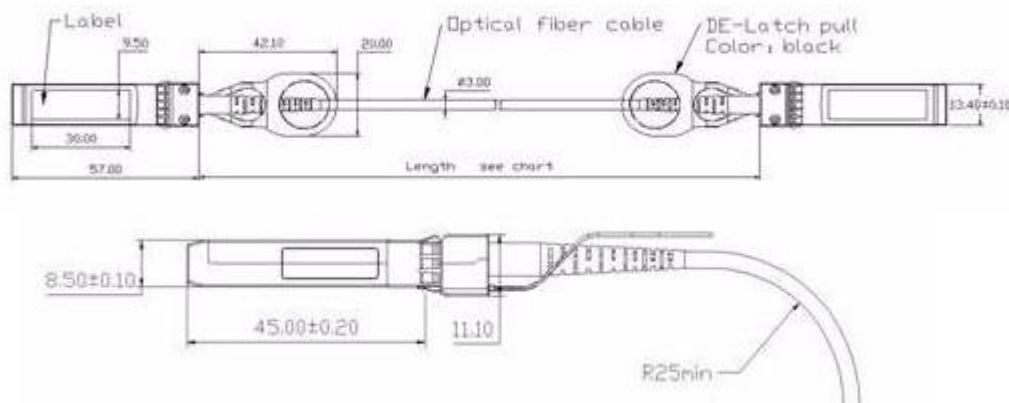


Vi-Link's high speed SFP+ Active Optical Cable (AOC) provides high performance in 25 Gigabit Ethernet (10GbE) network applications, using an enhanced SFP+ connector to send 25 Gbps data through one paired transmitters and receivers over a optical cable. They are compliant with electrical standards SFF-8431, SFF-8083 and mechanical standard SFF-8432, EEPROM standard SFF-8472.

Specifications

Parameter	Symbol	Min	Max	Unit
Storage Temperature	Ts	-40	+85	°C
Operating Case Temperature	Tc	-40	+85	°C
Operating Humidity	RH		90	%
Bit Rate	BR	1	25	GB/s
Supply Votage	Vcc	-0.5	+3.6	V

Mechanical Drawings



Order Information

Model	Descriptions
AO2-3	Active Optical Ethernet Cable, 25 GB, SFP to SFP, 3 meters

** Replace "3" With 10, 20, 30, 50, 100 for Cable Distances **